

Product Data Sheet

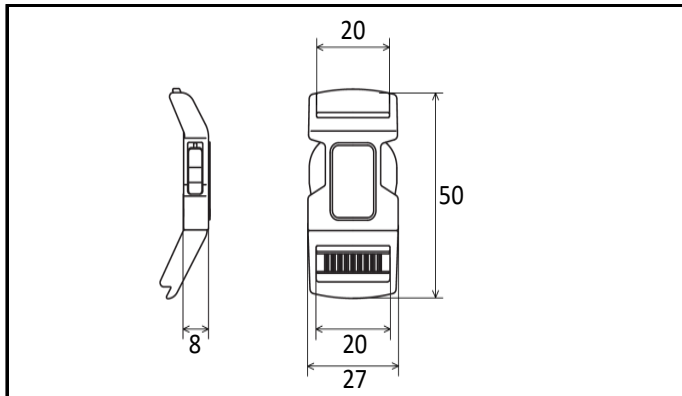


Product Name	SRC20
Product Category	Side Release Buckle
Material	POM polyacetal
COLOR	■
Cord Size	-
Cord Type	-
Webbing Size	20mm
Production	China
Remarks	-

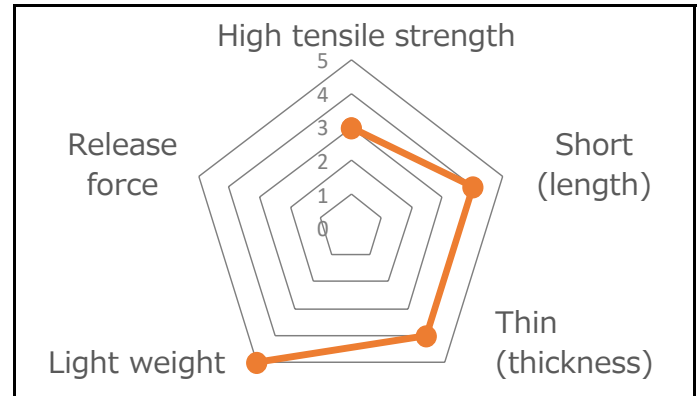
Image



Size



Specs



Example Usage

► Operation

► Application example

► Parts