



Product Data Sheet



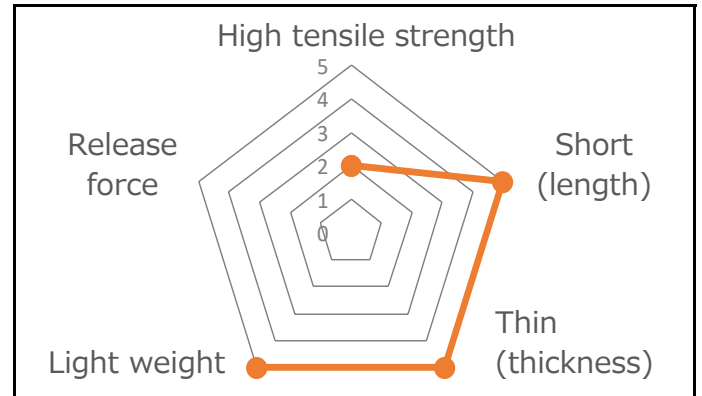
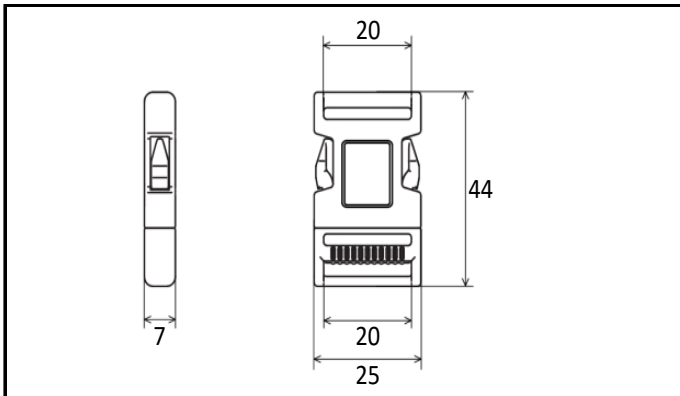
Product Name	SR20S
Product Category	Side Release Buckle
Material	POM polyacetal
COLOR	 
Cord Size	—
Cord Type	—
Webbing Size	20mm
Production	Japan
Remarks	—

Image



Size

Specs



Example Usage

▶ Operation

▶ Application example

▶ Parts