

Product Data Sheet

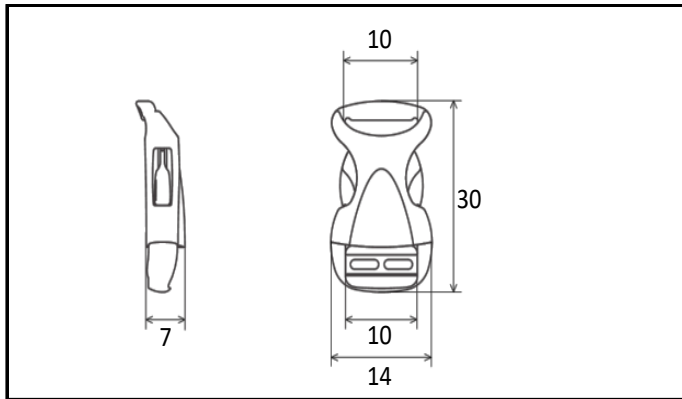


Product Name	YSR10
Product Category	Side Release Buckle
Material	POM polyacetal
COLOR	■
Cord Size	-
Cord Type	-
Webbing Size	10mm
Production	Hong Kong
Remarks	-

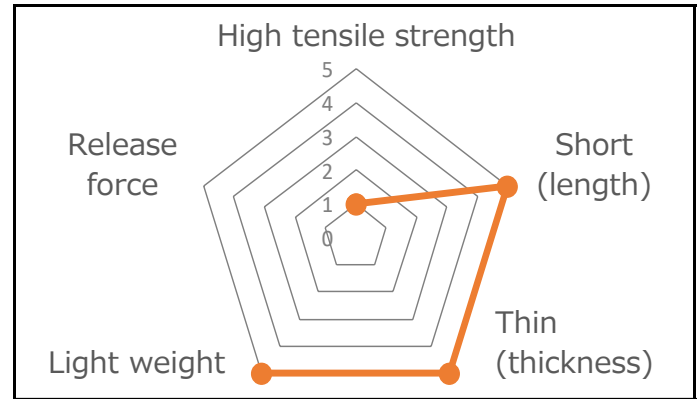
Image



Size



Specs



Example Usage

▶ Operation

▶ Application example

▶ Parts

