

# Product Data Sheet

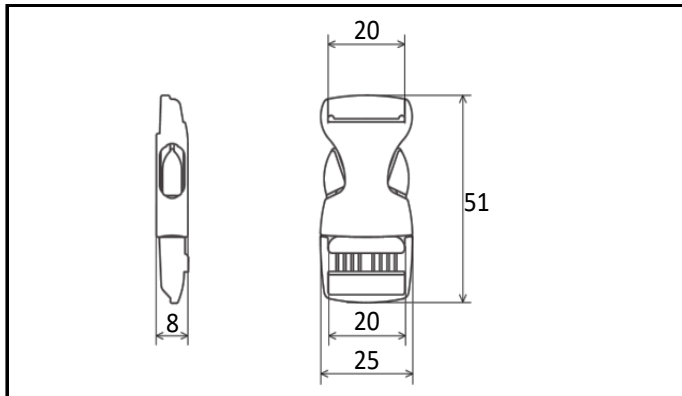


Product Name	ZSR20-NKL
Product Category	Side Release Buckle
Material	ZINC/ POM polyacetal
COLOR	
Cord Size	-
Cord Type	-
Webbing Size	20mm
Production	Japan
Remarks	-

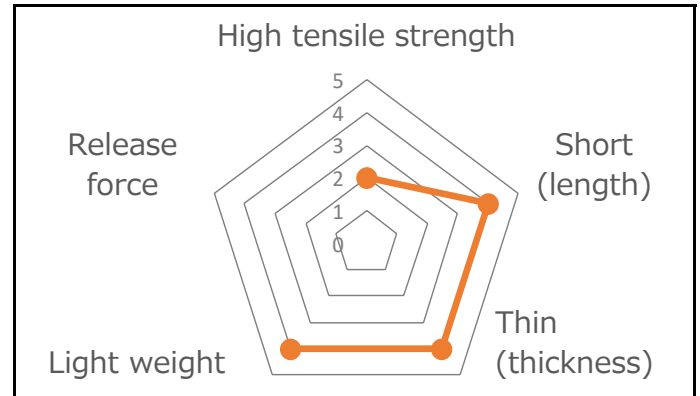
Image



Size



Specs



Example Usage

▶ Operation      ▶ Application example      ▶ Parts